

# EDWinXP™

## WHAT IS EDWinXP?

EDWinXP is integrated into ScanCAD's family of reverse engineering products to provide schematic generation and CAD upload capabilities.

It is a total EDA/ECAD software package of seamlessly integrated, task oriented modules covering all stages of the electronic circuit design process - from capturing the idea of a circuit in the form of schematic diagram to generating a full set of documentation for manufacturing and assembling of PCBs.

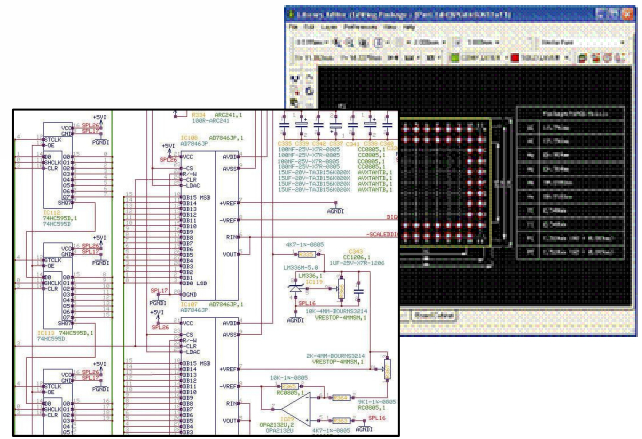
## Feature Highlights

- Schematic editor can create a new schematic or edit an existing one. With automatic operations for placing, packing and routing components.
- Export schematic DXF to AutoCAD format.

## Layout Editor

- Design the PCB layout of a circuit
- Automatic functions to simplify the process of renumbering components and routing
- Use the thermal analyzer to identify potential thermal problems
- The electromagnetic analyzer will show the distribution of electric field energy routed on a PCB

Features	Standard	Deluxe	Professional
Schematic Capture	X	X	X
Layout Design	X	X	X
Fabrication Manager	X	X	X
Library Editor	X	X	X
Standard Layout Autorouter	X	X	X
Arizona Layout Autorouter	X	X	X
Schematics Autorouter	X	X	X
Mixed Mode Simulator	X	X	X
Specetra Interface	X	X	X
Maxroute Interface	X	X	X
Schematics Autoplacer	X	X	X
Layout Autoplacer	X	X	X
Full Libraries	X	X	X
Thermal Analyzer		X	X
Electromagnetic Analyzer		X	X
Signal Integrity Analyzer		X	X
Field Analyzer		X	X
EDSpice Simulator			X
EDComX			X
DocOne			X
VHDL/PLD Design			X
8051 Kit			X
AVR Kit			X
PLC 16C5X Series Kit			X
Project Version Control			X
Motorola Kit			X



## General Features

- Conversion manager for Library conversion, database conversion and EED III Conversion.
- Waveform viewer that may be used to generate results in the form of diagram for simulators.
- Subcircuit adapter allows existing SPICE subcircuits to be converted into an EDSpice format.
- Model parameter editor simplifies the management and creation of model libraries.
- List generator utility allows generation of a list containing required details of the component library.
- Netlist import and export eases the transfer of information of all nets or connections involved in a circuit. The information can be transferred to and from third party software. Formats that are supported include: JEDEC, CUPL, XILINX, ALTERA and more.
- The schematic diagram is generated by converting the imported file data to the project. The parameters and model parameters are set during conversion. The circuit and parameters are set for various analyses as specified in the circuit file.
- Schematic DXF Export is an application that allows the user to export the schematic graphic to AutoCAD DXF format.
- Layout DXF Export allows export of layout graphics to AutoCAD DXF format.
- Simulation model generators allow conversion of VHDL source files to models for simulations.

## Schematic Editor

- Create a schematic of a new circuit or an existing design
- Edit electrical connections, components and routing
- Export schematics in an Autocad DXF format

All specifications and designs subject to change without notice. The following are trademarks of the indicated companies: GERBER, The Gerber Scientific Instrument Company; Excellon, Excellon Automation; Sieb & Meyer, Sieb & Meyer GmbH; HP-GL, HP, Hewlett-Packard; MS-DOS, Windows XP, Microsoft®. EDWinXP™ is a trademark of Norlinvest Ltd, BVI



12779 W. Belleview Ave.  
 Littleton, CO. 80127 USA  
 T: 303.697.8888 F: 303.697.8580  
 E: [info@scancad.com](mailto:info@scancad.com) [www.scancad.com](http://www.scancad.com)